

Commander | Fiberglass | 30mm Multi-Hole Configuration

4 COVER SCREWS, LIFT OFF COVER



CONSTRUCTION

Material (Box & Cover)	Hot compression molded fiberglass reinforced polyester (thermoset)
Gasket Material	Poured polyurethane seamless gasket
Cover Screw Material	Recessed captive 304 stainless steel
Cover Screw Size	#10-24 x 3/4
Cover Screw Torque	20-24 in.-lbs.
Stainless Steel Hardware	300 series stainless steel used on all external hardware
Cover Retention	Stainless steel beaded cover retention chain
Back Panel Screw Size	#10-32x3/8
Panel Mounting	Raised bosses with brass inserts accepting #10-32x3/8 screws for optional panel mounting
Mounting Feet	Integral Mounting Flange
Soft Edge Design	Rounded edges, minimal protrusions or exposed pocket areas for assembly of dust and debris

INDUSTRY STANDARDS

UL/cUL File #	E64358
NEMA Ratings (UL508A, UL50 & UL50e)	1, 3R, 4X, 6P, 12
CSA Std. C22.2 File #	1, 3R, 4X, 6P, 12 per CSA File# LR069014
IEC 60529 Ratings	IP66, IP67, IP68 per UL file# E362920
UL 1741 File #	E333478
Temperature Range	(-76°F to +274°F) (-60°C to +134°C)
Flammability Rating	UL94-5V
Self extinguishing	Non-halogenated, non-flame propagating
NFPA No. 101 Flame Spread	Class A (1)
Certifications	cULus, CSA, IEC, REACH, RoHS
Outdoor UV Exposure (UL 746C)	(f1) Rated
Plenum Space Rating (UL 2043)	Yes
Chemical Resistance	See chart on page 120

ACCESSORIES

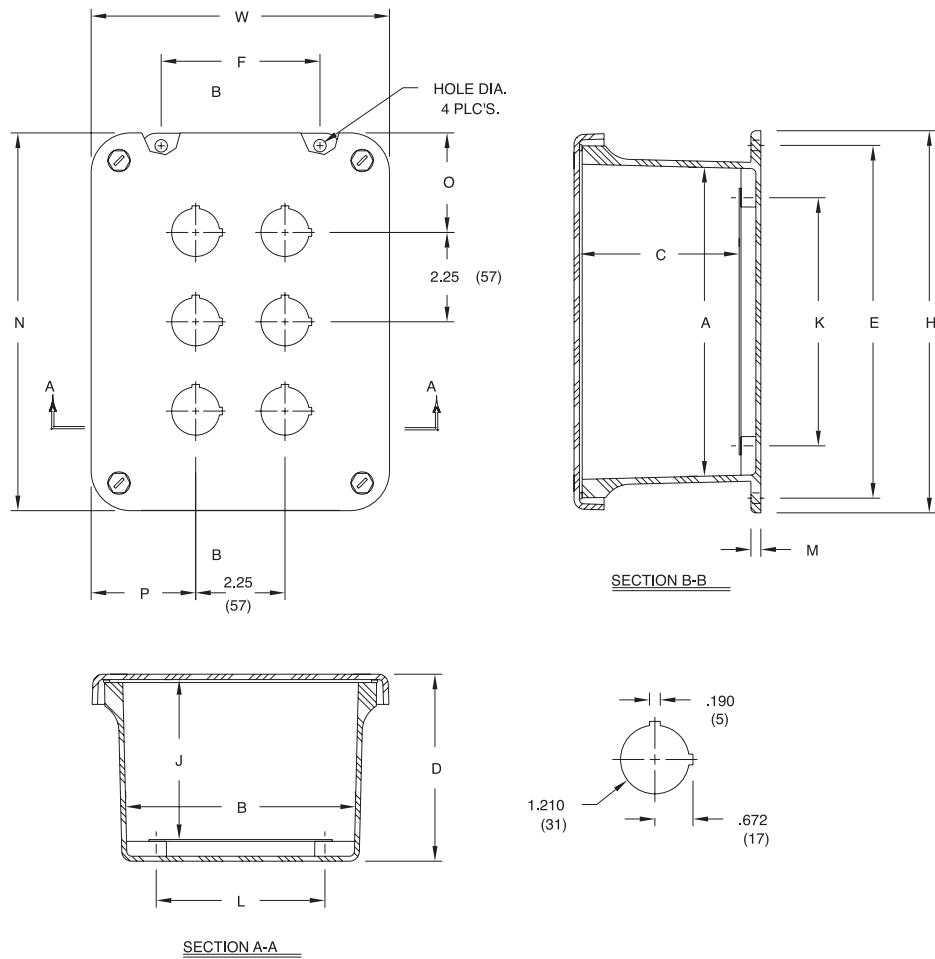
Aluminum Back Panel	BP_A	pg. 108
Carbon Steel Back Panel	BP_CS	pg. 108
Accessory Kit (Screws)		pg. 104
All Other Accessories		Pg. 102-117

MODIFICATIONS

Custom Colors	pg. 10-11
Silk Screening	pg. 10-11
Custom Cutouts/Holes	pg. 10-11
EMI/RFI Shielding	pg. 10-11

Commander | Fiberglass | 30mm Multi-Hole Configuration

TECHNICAL DRAWINGS / DIMENSIONS



COMMANDER SERIES FIBERGLASS 30mm MULTI-HOLE CONFIGURATION DIMENSIONS

CATALOG NUMBER	HOLE CONFIG.	OVERALL H X W X D	INSIDE A X B X C	MOUNTING E X F	J	K	L	M	N	O	P	HOLE DIA.	SHIPPING WT.	PANEL NUMBER
CO4PBW	2 x 2	7.50 x 7.50 x 4.75 (191 x 191 x 121)	5.72 x 5.72 x 4.45 (145 x 145 x 113)	6.75 x 4.00 (171 x 101)	4.00 (101)	4.25 (108)	4.25 (108)	0.25 (6)	7.52 (191)	2.64 (67)	2.64 (67)	0.31 (8)	2.7 lbs.	BP66*
CO6PBW	3 x 2	9.62 x 7.50 x 4.74 (244 x 191 x 121)	7.73 x 5.74 x 4.45 (196 x 146 x 113)	8.88 x 4.00 (225 x 101)	4.00 (101)	6.25 (159)	4.25 (108)	0.25 (6)	9.5 (242)	2.64 (67)	2.51 (64)	0.31 (8)	3.5 lbs.	BP86*
CO9PBW	3 x 3	11.62 x 9.41 x 4.25 (295 x 239 x 108)	9.73 x 7.73 x 3.98 (247 x 196 x 101)	10.75 x 6.00 (273 x 152)	3.50 (89)	8.25 (209)	6.25 (159)	0.25 (6)	11.35 (288)	3.43 (87)	2.45 (62)	0.31 (8)	5.0 lbs.	BP108*

All measures are in inches, items in parentheses are in millimeters.

Note: Shown CO6PBW for Reference.

* Panel ordered separately.